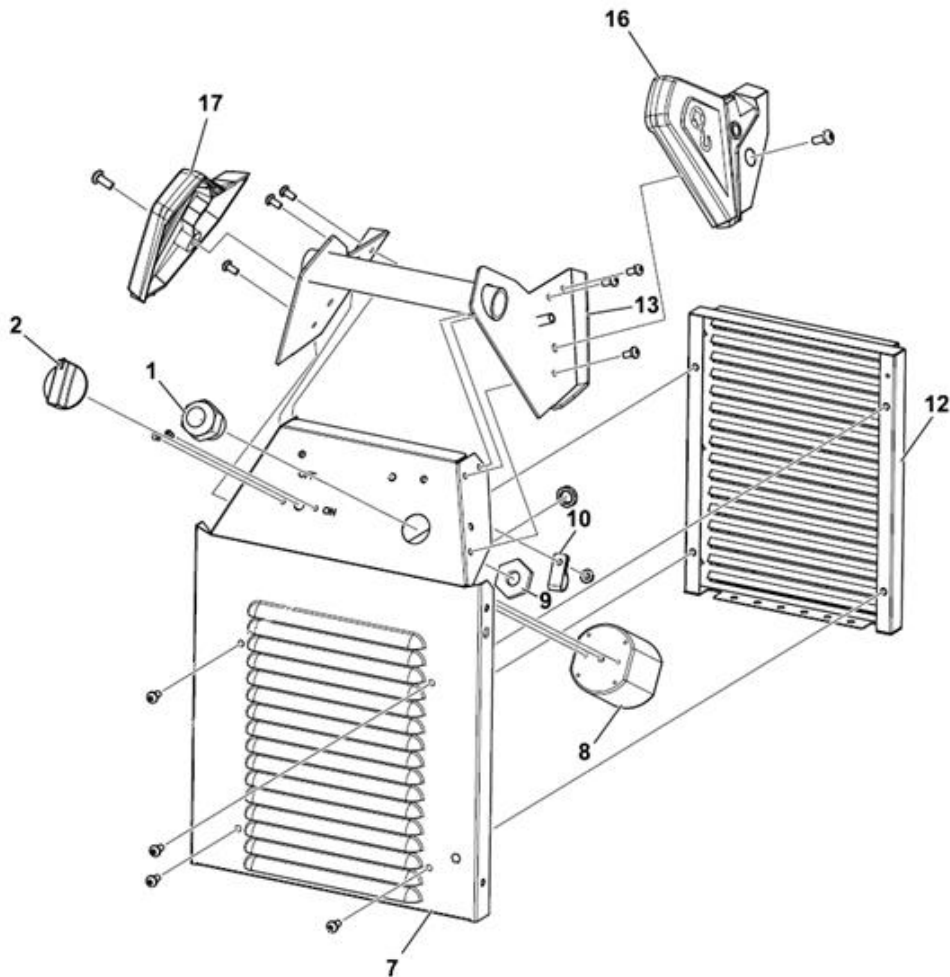


ESAB FABRICATOR ES 410iC

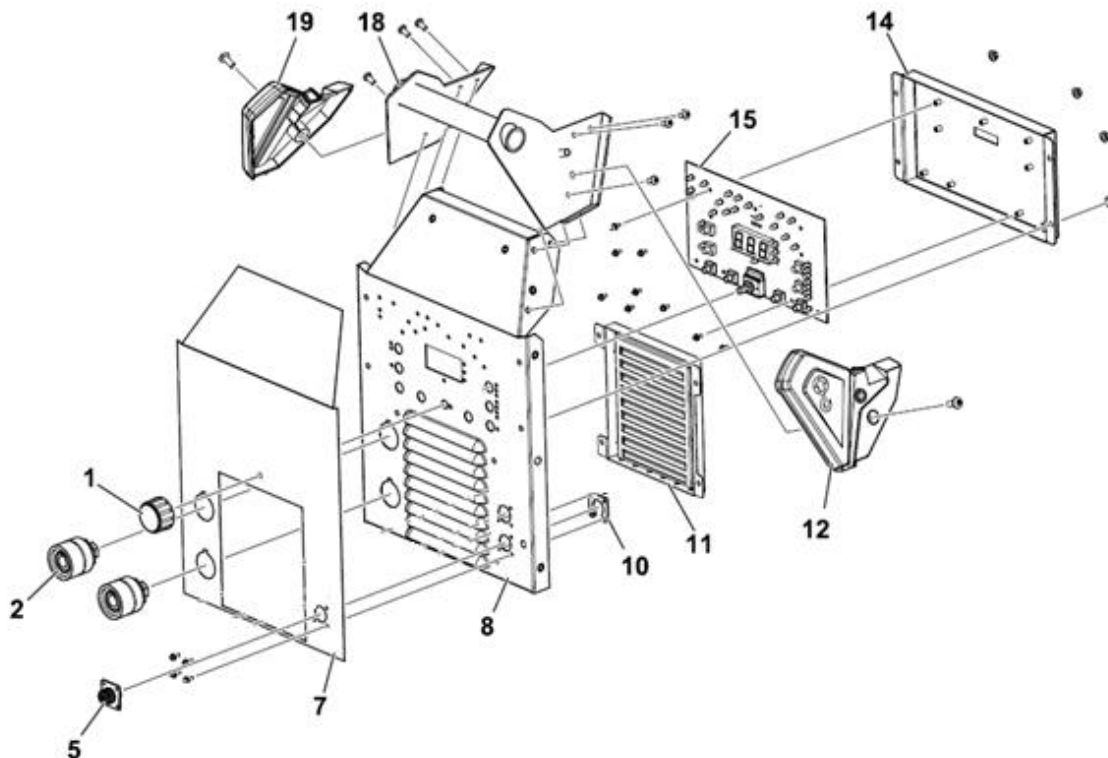


ESAB FABRICATOR ES 410IC

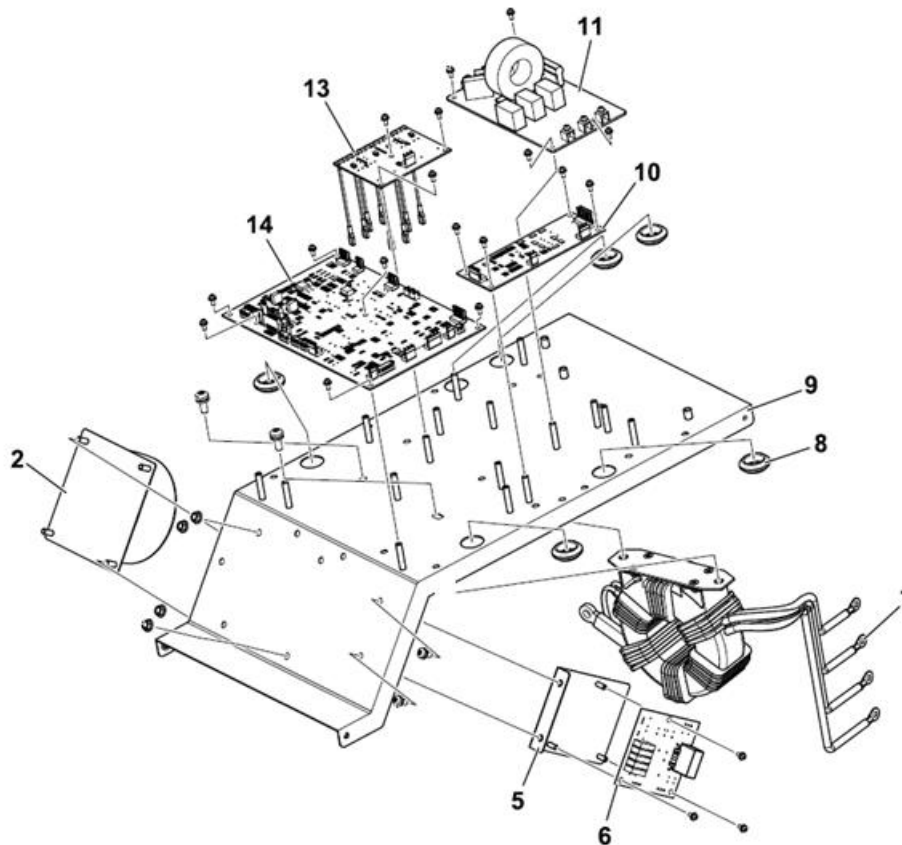
ITEM	DESCRIPCION	NUMERO PARTE	CODIGO
1	CABLE GLANDS	447126001	CONSULTAR
2	ESAB KNOB FOR MAIN SWITCH	465354002	615521
7	BACK PANEL	447116001	CONSULTAR
8	ESAB MAIN SWITCH	465354001	615519
9	NUT M25X1.5	447462001	CONSULTAR
10	CABLE CLAMPS	447130001	CONSULTAR
12	BACK PANEL VENTILATION ASSEMBLY	447117880	CONSULTAR
13	HANDLE ASSEMBLY	447122880	CONSULTAR
16	ESAB HANDLE CORNER PART,RIGHT	465293002	616382
17	ESAB HANDLE CORNER PART,LEFT	465293001	616381



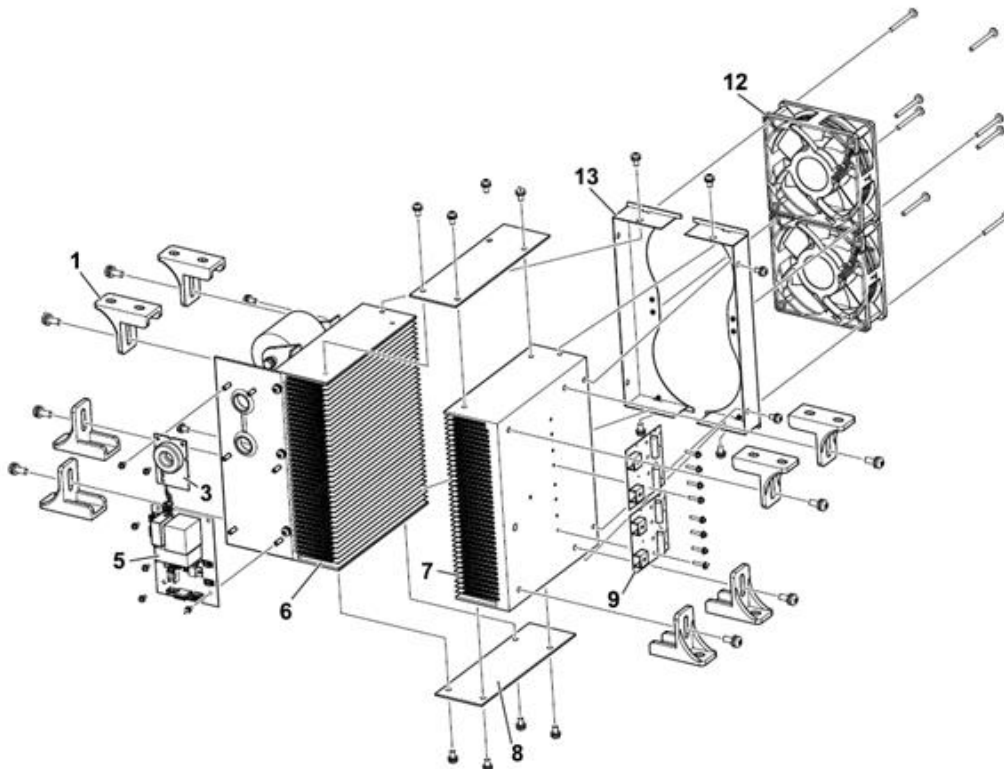
ITEM	DESCRIPCION	NUMERO PARTE	CODIGO
1	PERILLA D36 EQUIPOS EUROPA	321475893	614184
2	ES CONECTOR OKC F410 (447107001)	447107001	620008
5	8 PIN CABLE HARNESS KIT	447188001	CONSULTAR
7	DECALE	447104002	CONSULTAR
8	FRONT PANEL	447103001	CONSULTAR
10	8-PIN SOCKET HOLDING PLATE	447113001	CONSULTAR
11	FRONT PANEL VENTILATION ASSEMBLY	447105880	CONSULTAR
12	ESAB HANDLE CORNER PART,RIGHT	465293002	616382
14	SHIELD COVER	447111001	CONSULTAR
15	ES DISPLAY PCBA F410	447109880	620007
18	HANDLE ASSEMBLY	447122880	CONSULTAR
19	HANDLE CORNER PART	465293001	616381



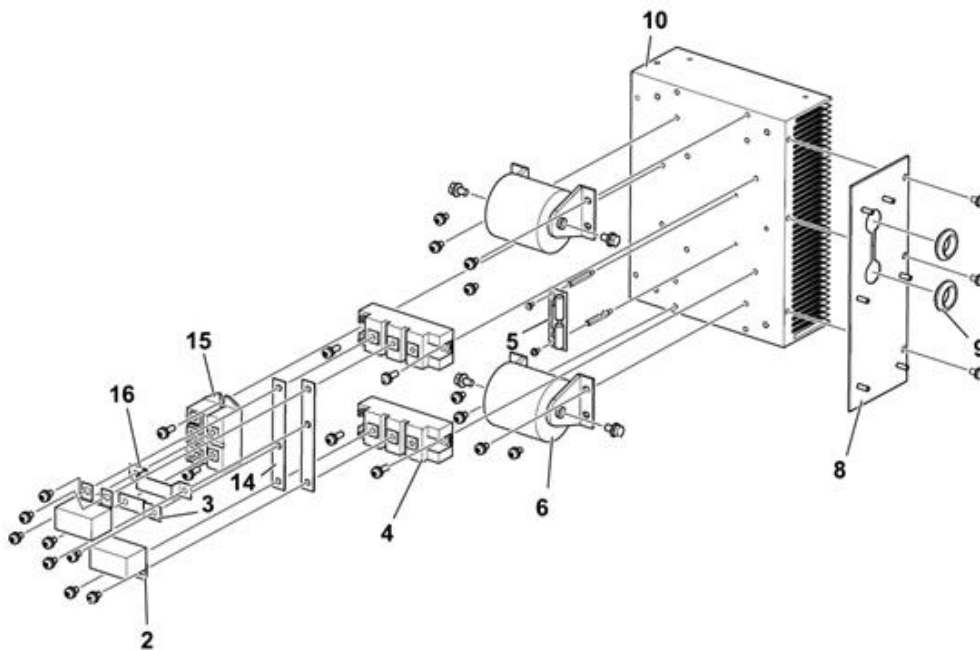
ITEM	DESCRIPCION	NUMERO PARTE	CODIGO
2	ES CONTROL TRANSFORMER F410	447165001	620006
5	HOLD PLATE FOR PCBA ON MIDDLE PLATE	447167001	CONSULTAR
6	FILTER PCBA	447166880	620005
7	ES MAIN TRANSFORMER F410	447162880	620004
8	GROMMET	447155001	CONSULTAR
9	MIDDLE PLATE	447157001	CONSULTAR
10	VOLTAGE DETECTION PCBA	447161880	620003
11	ES EMI PCBA F410 (CE VERSION ONLY)	447158880	620002
13	ES IGBT PCBA F410	447192001	620001
14	ES MAIN CONTROL PCBA F410	447160880	620000



ITEM	DESCRIPCION	NUMERO PARTE	CODIGO
1	HEAT SINK HOLDER	447143001	CONSULTAR
3	ES CT PCBA F410	447189001	619999
5	HIGH VOLTAGE GENERATOR PCBA	447153880	CONSULTAR
6	HEAT SINK ASSEMBLY-LEFT	447137880	CONSULTAR
7	HEAT SINK -RIGHT	447147001	CONSULTAR
8	HEAT SINK CONNECTOR	447154001	CONSULTAR
9	ES FRD PCBA F410	447148880	619998
12	ES FAN F410	447150001	619997
13	FAN HOLDER	447149001	CONSULTAR



ITEM	DESCRIPCION	NUMERO PARTE	CODIGO
2	ES SNUBBER CAPACITOR	447142001	619996
3	CONNECTING COPPER BAR 1	447144001	CONSULTAR
4	ES MODULE IGBT F410	447140001	619995
5	ES RESISTOR PCB F410	447145880	619994
6	ES INPUT FILTER CAPACTR F410	447141001	619993
8	VERTICAL PLATE	447151001	CONSULTAR
9	RUBBER COIL	447155001	CONSULTAR
10	HEAT SINK-LEFT	447138001	CONSULTAR
11	COPPER STUD M3X30+6	447242001	CONSULTAR
14	CONNECTING COPPER BAR 3	447144003	CONSULTAR
15	ES INPUT RECTIFIER F410	447139001	619992
16	CONNECTING COPPER BAR	447144002	CONSULTAR



ITEM	DESCRIPCION	NUMERO PARTE	CODIGO
1	LEFT SIDE PLATE	447169001	CONSULTAR
3	ES HALL SENSOR F410	447181001	619991
4	INSULATION GASKET	447458001	CONSULTAR
5	ES OUTPUT CONECTOR POS F410	447172001	619990
6	ES HARNESS FLAT F410	447178001	619989
7	FRONT PANEL ASSEMBLY	447102881	CONSULTAR
9	ESAB FEET	465415001	616376
11	ES OUTPUT INDUCTOR F410	447134001	619988
14	ES SENSOR TEMP RIGHT F410	447185001	619987
15	RIGHT SIDE PLATE	447169002	CONSULTAR
18	BACK PANEL	447116001	CONSULTAR
19	POWER CABLE ASSEMBLY	447460880	CONSULTAR
20	MIDDLE PLATE	447157001	CONSULTAR
21	TOP PLATE	447168001	CONSULTAR

